

WEIGHING PLATFORMS

PRODUCT NUMBERS 2816, 2817, 2818, 2822

Trade, commerce and industry



- › Weighing platforms for floor scales
- › Sturdy, flat design
- › With stainless steel, painted or hot-dip galvanised
- › Hinged platform with gas-filled strut
- › 5 standard platform sizes
- › Special sizes on request

Weighing platform 2816, painted, bolted



Made of painted steel, bolted platform. Load cells made of anodised aluminium, Protection Class IP 65, corrosion resistant plastic terminal box, painted light grey, platform in black.

Order Number	Weighing Range	Divisions	Load Capacity	Platform Size
Platform	kg	1st range g/ 2nd range g	kg	mm
smooth				
2816.01.001	300	50/100	1 500	800 x 1 000 x 80
2816.02.001	600	100/200	1 500	800 x 1 000 x 80
2816.12.001	600	100/200	3 500	1 000 x 1 250 x 80
2816.13.001	1 500	200/500	3 500	1 000 x 1 250 x 80
2816.14.001	3 000	500/1 000	3 500	1 000 x 1 250 x 80
2816.22.001	600	100/200	3 500	1 250 x 1 500 x 80
2816.23.001	1 500	200/500	3 500	1 250 x 1 500 x 80
2816.24.001	3 000	500/1 000	3 500	1 250 x 1 500 x 80
2816.72.001	600	100/200	3 500	1 500 x 1 500 x 80
2816.73.001	1 500	200/500	3 500	1 500 x 1 500 x 80
2816.74.001	3 000	500/1 000	3 500	1 500 x 1 500 x 80
2816.33.001	1 500	200/500	3 500	1 500 x 2 000 x 100
2816.34.001	3 000	500/1 000	3 500	1 500 x 2 000 x 100
2816.44.001	3 000	500/1 000	7 500	1 500 x 2 000 x 120
2816.45.001	6 000	1 000/2 000	7 500	1 500 x 2 000 x 120

Other weighing ranges and platform sizes on request.

Weighing platform 2817, stainless steel, bolted



Made of stainless steel 1.4301, bolted platform. Load cells made of stainless steel, Protection Class IP 68, corrosion resistant plastic terminal box, easy to clean design.

Order Number	Order Number	Weighing Range	Divisions	Load Capacity	Platform Size
Platform	Platform	kg	1st range g/ 2nd range g	kg	mm
smooth	structured				
2817.01.001	2817.01.002	300	50/100	1 500	800 x 1 000 x 80
2817.02.001	2817.02.002	600	100/200	1 500	800 x 1 000 x 80
2817.12.001	2817.12.002	600	100/200	3 500	1 000 x 1 250 x 80
2817.13.001	2817.13.002	1 500	200/500	3 500	1 000 x 1 250 x 80
2817.14.001	2817.14.002	3 000	500/1 000	3 500	1 000 x 1 250 x 80
2817.22.001	2817.22.002	600	100/200	3 500	1 250 x 1 500 x 80
2817.23.001	2817.23.002	1 500	200/500	3 500	1 250 x 1 500 x 80
2817.24.001	2817.24.002	3 000	500/1 000	3 500	1 250 x 1 500 x 80
2817.72.001	2817.72.002	600	100/200	3 500	1 500 x 1 500 x 80
2817.73.001	2817.73.002	1 500	200/500	3 500	1 500 x 1 500 x 80
2817.74.001	2817.74.002	3 000	500/1 000	3 500	1 500 x 1 500 x 80
2817.33.001	2817.33.002	1 500	200/500	3 500	1 500 x 2 000 x 100
2817.34.001	2817.34.002	3 000	500/1 000	3 500	1 500 x 2 000 x 100
2817.44.001	-	3 000	500/1 000	7 500	1 500 x 2 000 x 120
2817.45.001	-	6 000	1 000/2 000	7 500	1 500 x 2 000 x 120

Other weighing ranges and platform sizes on request.

Weighing platform 2818, stainless steel, hinged



Made of stainless steel 1.4301, hinged platform with gas-filled strut (pressure tube painted in black) for easy access to scale pit. Load cells made of stainless steel, Protection Class IP 68, corrosion resistant plastic terminal box, easy to clean design.

Order Number	Order Number	Weighing Range	Divisions	Load Capacity	Platform Size
Platform	Platform	kg	1st range g/ 2nd range g	kg	mm
smooth	structured				
2818.01.001	2818.01.002	300	50/100	1 500	800 x 1 000 x 80
2818.02.001	2818.02.002	600	100/200	1 500	800 x 1 000 x 80
2818.12.001	2818.12.002	600	100/200	3 500	1 000 x 1 250 x 80
2818.13.001	2818.13.002	1 500	200/500	3 500	1 000 x 1 250 x 80
2818.14.001	2818.14.002	3 000	500/1 000	3 500	1 000 x 1 250 x 80
2818.22.001	2818.22.002	600	100/200	3 500	1 250 x 1 500 x 80
2818.23.001	2818.23.002	1 500	200/500	3 500	1 250 x 1 500 x 80
2818.24.001	2818.24.002	3 000	500/1 000	3 500	1 250 x 1 500 x 80

Other weighing ranges and platform sizes on request.

Weighing platform 2822, hot-dip galvanised, hinged



Hot-dip galvanised, hinged platform. Load cells made of stainless steel, Protection Class IP 68, corrosion resistant plastic terminal box, easy to clean design.

Order Number	Weighing Range	Divisions	Load Capacity	Platform Size
Platform	kg	1st range g/ 2nd range g	kg	mm
smooth				
2822.01.001	300	50/100	1 500	800 x 1 000 x 80
2822.01.002	600	100/200	1 500	800 x 1 000 x 80
2822.12.001	600	100/200	3 500	1 000 x 1 250 x 80
2822.13.001	1 500	200/500	3 500	1 000 x 1 250 x 80
2822.14.001	3 000	500/1 000	3 500	1 000 x 1 250 x 80
2822.22.001	600	100/200	3 500	1 250 x 1 500 x 80
2822.23.001	1 500	200/500	3 500	1 250 x 1 500 x 80
2822.24.001	3 000	500/1 000	3 500	1 250 x 1 500 x 80
2822.72.001	600	100/200	3 500	1 500 x 1 500 x 80
2822.73.001	1 500	200/500	3 500	1 500 x 1 500 x 80
2822.74.001	3 000	500/1 000	3 500	1 500 x 1 500 x 80
2822.33.001	1 500	200/500	3 500	1 500 x 2 000 x 100
2822.34.001	3 000	500/1 000	3 500	1 500 x 2 000 x 100
2822.44.001	3 000	500/1 000	7 500	1 500 x 2 000 x 120
2822.45.001	6 000	1 000/2 000	7 500	1 500 x 2 000 x 120

Other weighing ranges and platform sizes on request.

Accessories for weighing platforms 2816, 2817, 2818, 2822

Tested in everyday applications - customised adaptations possible. Practical accessories give a good product greater performance. Our range comprises a number of indicators for different function depths. Printers, indicator stands, indicator lamps, alibi memories, installation

materials, interface splitters, relay boxes and much more complete the range. Request our consultation service to advise you on your requirements for reinforced weighbridge panels for spot loads, special sizes, or special constructions.

Installation frame for flush installation

Made of stainless steel 1.4301 (Request our foundation drawing!)

Order Number	Platform Size	Load Capacity
	mm	kg
2501.05.001	1 000 x 800	1 500
2501.05.002	1 250 x 1 000	3 500
2501.05.003	1 500 x 1 250	3 500
2501.05.004	1 500 x 1 500	3 500
2501.05.005	2 000 x 1 500	3 500
2501.05.006	2 000 x 1 500	7 500

Installation frame for fixing floor mounted scales

Electrogalvanised, blue chromated
Request our foundation drawing!

Order Number	Platform Size	Load Capacity
	mm	kg
2501.15.001	1 000 x 800	1 500
2501.15.002	1 250 x 1 000	3 500
2501.15.003	1 500 x 1 250	3 500
2501.15.004	1 500 x 1 500	3 500
2501.15.005	2 000 x 1 500	3 500
2501.15.006	2 000 x 1 500	7 500

Drive-on ramp (smooth) for weighing platforms 2816, 2817, 2818

Painted, black
Surface mounted scales

Order Number	Platform Size	Ramp Size
	mm	mm
2505.05.001	1 000 x 800	1 000 x 800 x 80
2505.05.002	1 250 x 1 000	1 000 x 1 000 x 80
2505.05.003	1 500 x 1 250	1 000 x 1 250 x 80
2505.05.004	1 500 x 1 500	1 000 x 1 500 x 80
2505.05.005	2 000 x 1 500	1 000 x 1 500 x 100

Base plate installation kit for surface mounted scales

Installation kit consists of 2 base plates, bolts, dowels and washers.

Order Number	Platform Size	Load Capacity
	mm	kg
2510.24.001	all	up to 3 500
2510.24.002	2 000 x 1 500	7 500

Stainless steel gas-filled strut

(stainless steel pressure tube for 2818)

Order Number	Actuating Power	Platform Size
	N	mm
2506.30.001	500	1 000 x 800
2506.30.002	1 200	1 250 x 1 000
2506.30.003	1 500	1 500 x 1 250

Drive-on ramp (smooth) for weighing platforms 2816, 2817, 2818

Stainless steel 1.4301, one side or two side drive-on ramps.
Surface mounted scales

Order Number	Platform Size	Ramp Size
	mm	mm
2505.06.001	1 000 x 800	1 000 x 800 x 80
2505.06.002	1 250 x 1 000	1 000 x 1 000 x 80
2505.06.003	1 500 x 1 250	1 000 x 1 250 x 80
2505.06.004	1 500 x 1 500	1 000 x 1 500 x 80
2505.06.005	2 000 x 1 500	1 000 x 1 500 x 100

Floor stand, painted or stainless steel

Order Number	Description	Dimensions
Floor stand, painted		mm
2504.10.001	Dimensions incl. base plate 200 x 200mm	1 150
2504.11.001	Stand base	390 x 390
Order Number	Description	Dimensions
Floor stand, stainless steel		mm
2504.20.001	Dimensions incl. base plate 200 x 200mm	1 150
2504.21.001	Stand base	390 x 390

Features

For daily use in all applications. For weighing heavy loads quickly and efficiently.

Design

- › Fully electronic floor scale in sturdy, generously sized steel tube construction for tough industrial applications
- › High overload protection and maintenance-free construction
- › Direct force transfer to 4 strain gauge load cells
- › Ultra flat design from 80mm installation height
- › Suitable for installation flush in the floor or as free-standing unit
- › Measuring cable 6m long, also optional plug-in connection
- › Standard two-range scale with 2 x 3000e, approvable to Class III commercial scales

Indicators

Floor scales are combinable with all Soehnle Professional indicators. Choose the best indicator for your application. The indicators are listed in our catalogue.

Explosion hazard zones

On request, we can also supply weighing platforms 2816, 2817, 2818 and 2822 for use in explosion hazard zones. The weighing platforms may be used in Ex zones 2 and 22, Category 3 G and 3 D, in compliance with EU Directive 94/9/EC (ATX 100 a).



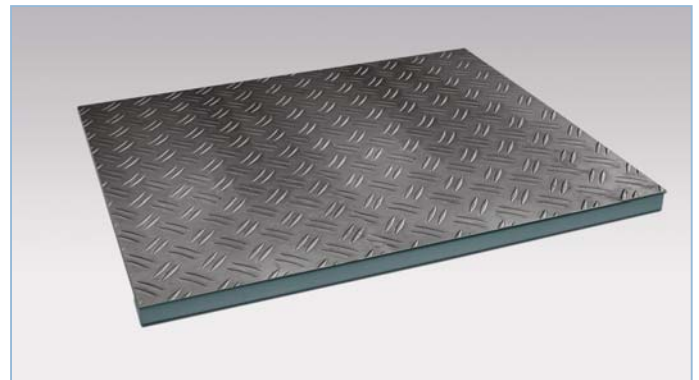
Hinged stainless steel platform



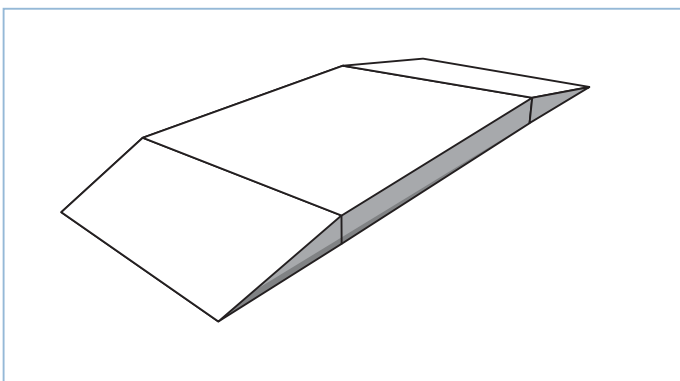
Bolted stainless steel or hot-dip galvanised platform



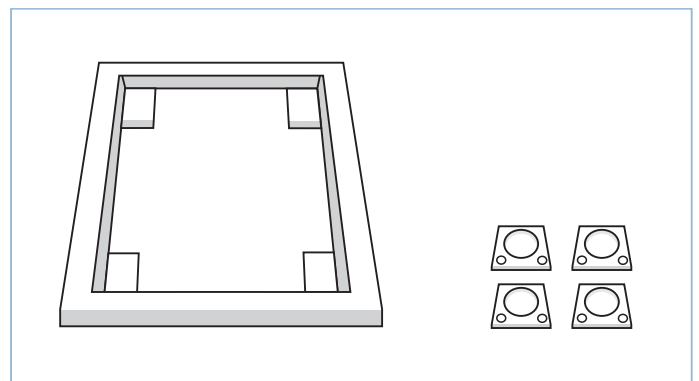
Painted and bolted steel platform



Stainless steel platform, also available with structured non-slip stainless steel sheet



Version with drive-on ramps



Installation frame

Installation kit for fixing floor mounted scales

Soehnle Professional GmbH & Co. KG

Wilhelm-Soehnle-Straße 2
71540 Murrhardt

Phone +49 (0) 7192/93 19-0
E-Mail info@soehnle-professional.com

SCALES, SYSTEM SOLUTIONS AND SPECIAL DEVELOPMENTS

