

# Suspended Scales

Mechanical



- ◆ Robust
- ◆ Accurate
- ◆ Reliable
- ◆ Portable
- ◆ Dual Markings Available for Metric and Avoirdupois
- ◆ Low Cost
- ◆ Easy to Read
- ◆ Corrosion Resistant
- ◆ Capacities- 11 lbs (5 kg) to 660 lbs (300 kg)

VALUE IN  
WEIGHING



# Suspended Scales

## Model 235 6S

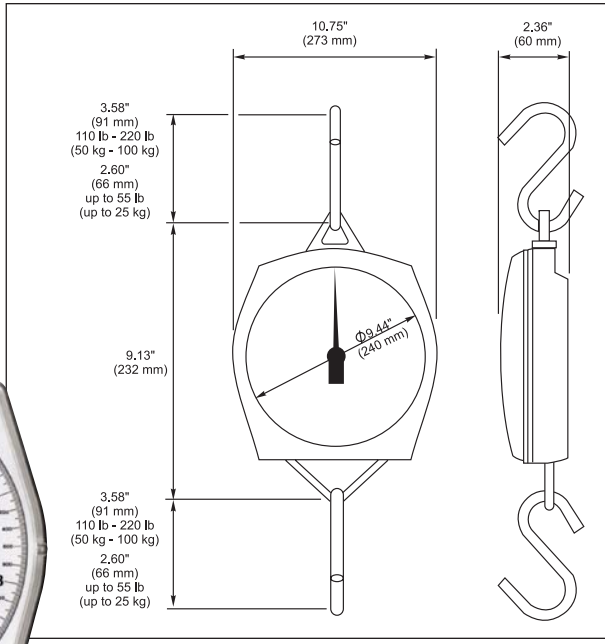
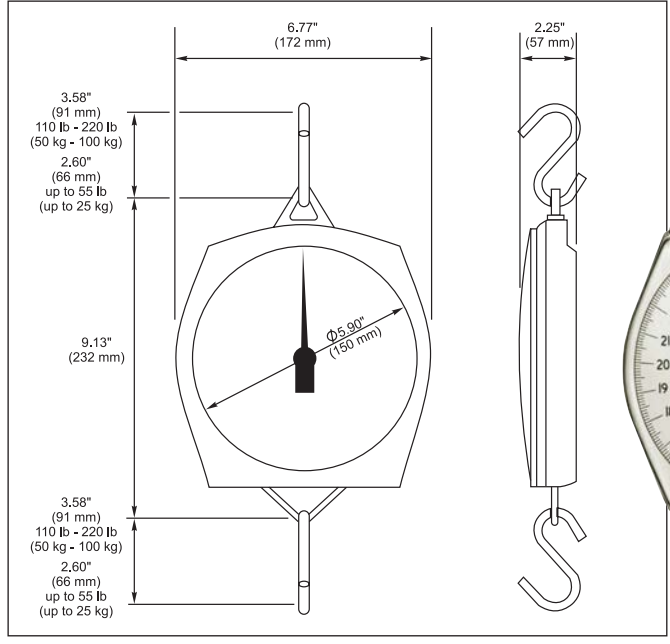
Compact, robust and corrosion resistant, housed in a tough ABS plastic case with shatterproof polycarbonate dial cover. Low friction acetal bearings provide positive movement to give maximum sensitivity. Accurate to one part in 250 with up to 15% zero adjust. Supplied with top and bottom hooks.

### Option

- Round pan
- Galvanized scoop

### Dual Marked

- 5 kg x 20 g / 11 lb x 1 oz
- 10 kg x 50 g / 22 lb x 2 oz
- 25 kg x 100 g / 56 lb x 4 oz
- 50 kg x 200 g / 110 lb x 8 oz
- 100 kg x 500 g / 220 lb x 1 lb



## Model 235 10S

Robust and corrosion resistant, housed in a tough ABS plastic case with shatterproof polycarbonate dial cover. Low friction bearings provide positive movement to give maximum sensitivity. Accurate to one part in 500 with up to 15% zero adjust. Supplied with top and bottom hooks.

### Option

- Round pan
- Galvanized scoop

### Dual Marked

- 5 kg x 10 g / 11 lb x 1/2 oz
- 10 kg x 20 g / 22 lb x 1 oz
- 25 kg x 50 g / 56 lb x 2 oz
- 50 kg x 100 g / 110 lb x 4 oz
- 100 kg x 200 g / 220 lb x 8 oz

**Model 235 6M**

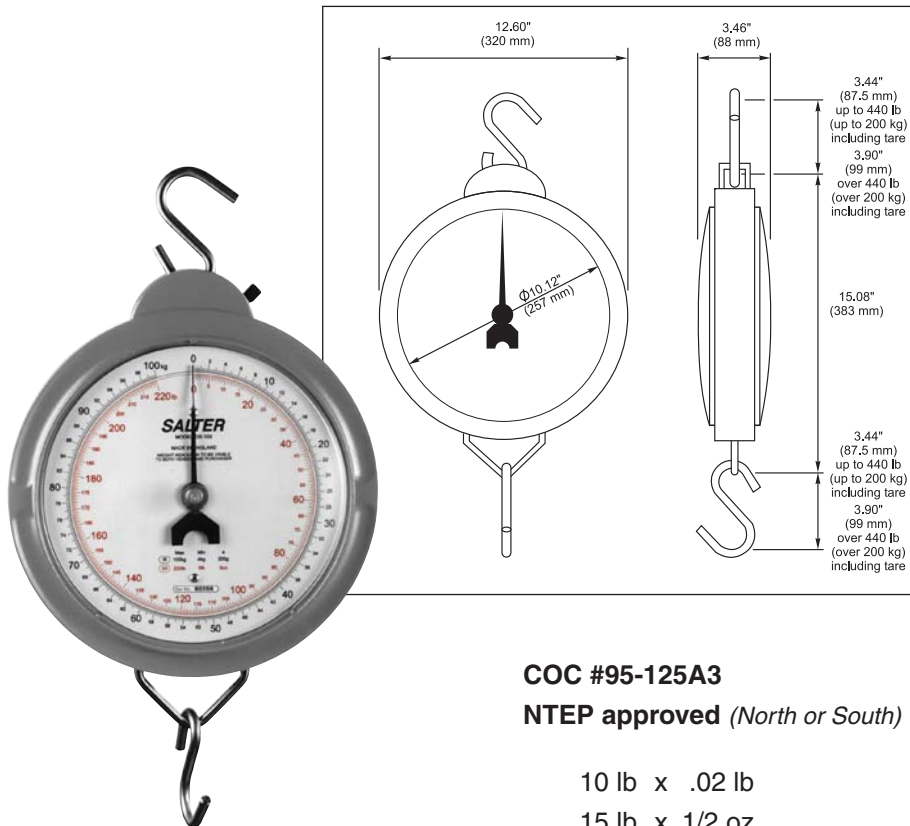
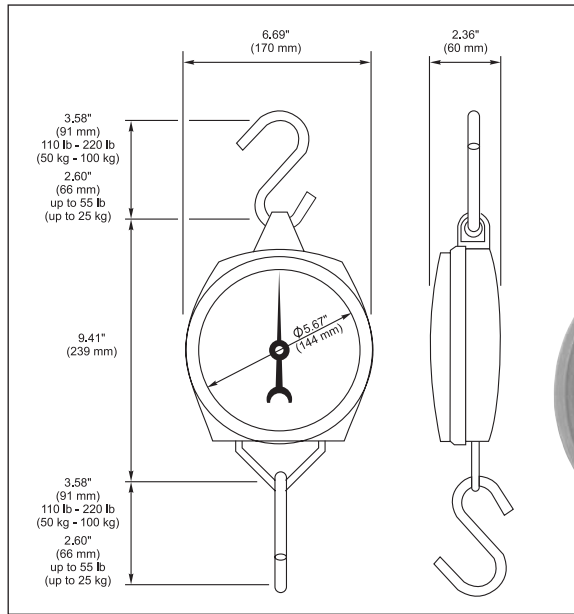
*Compact, robust, housed in the traditional metal case. Accurate to one part in 250 with up to 15% zero adjustment. Supplied with top and bottom hooks.*

**Option**

*Round pan  
Galvanized scoop*

**Dual Marked**

- 5 kg x 20 g / 11 lb x 1 oz
- 10 kg x 50 g / 22 lb x 2 oz
- 25 kg x 100 g / 56 lb x 4 oz
- 50 kg x 200 g / 110 lb x 8 oz
- 100 kg x 500 g / 220 lb x 1 lb



**Model 235 10x (NTEP & Non-NTEP)**

*Heavy duty suspended scale, NTEP approved up to 100 lbs. Easy to read dial housed in a robust die cast casing. Low friction bearings provides positive movement to give maximum sensitivity. Accurate to one part in 500 with up to 10% zero adjustment. Supplied with top and bottom hooks as standard.*

**Option**

*Double lipped scoop  
Round pan  
Galvanized scoop*

**COC #95-125A3**

**NTEP approved** (North or South)

- 10 lb x .02 lb
- 15 lb x 1/2 oz
- 25 lb x .05 lb
- 30 lb x 1.0 oz

**Non-NTEP approved**

- 100 kg x 200 g / 220 lb x 8 oz
- 200 kg x 500 g / 440 lb x 1 lb
- 300 kg x 1 kg / 660 lb x 2 lb



# Suspended Scales

## Model 235 6S

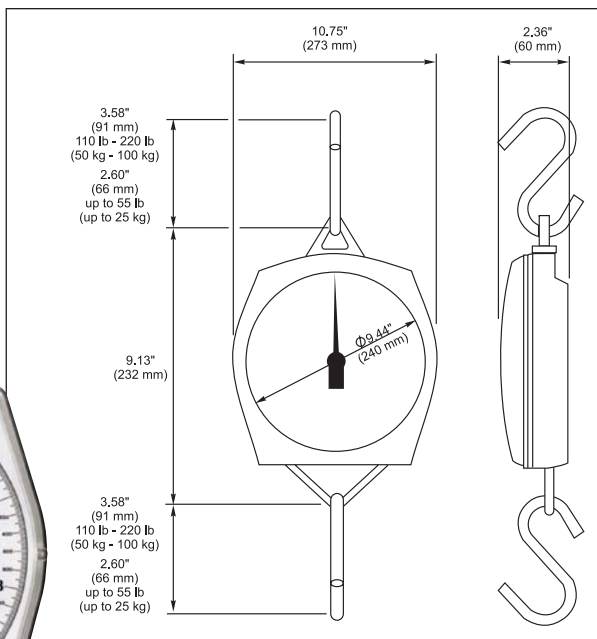
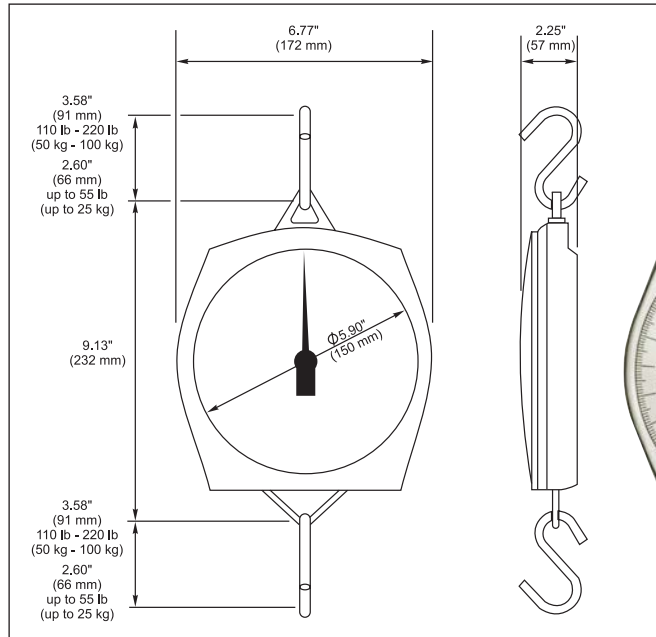
Compact, robust and corrosion resistant, housed in a tough ABS plastic case with shatterproof polycarbonate dial cover. Low friction acetal bearings provide positive movement to give maximum sensitivity. Accurate to one part in 250 with up to 15% zero adjust. Supplied with top and bottom hooks.

### Option

- Round pan
- Galvanized scoop

### Dual Marked

- 5 kg x 20 g / 11 lb x 1 oz
- 10 kg x 50 g / 22 lb x 2 oz
- 25 kg x 100 g / 56 lb x 4 oz
- 50 kg x 200 g / 110 lb x 8 oz
- 100 kg x 500 g / 220 lb x 1 lb



## Model 235 10S

Robust and corrosion resistant, housed in a tough ABS plastic case with shatterproof polycarbonate dial cover. Low friction bearings provide positive movement to give maximum sensitivity. Accurate to one part in 500 with up to 15% zero adjust. Supplied with top and bottom hooks.

### Option

- Round pan
- Galvanized scoop

### Dual Marked

- 5 kg x 10 g / 11 lb x 1/2 oz
- 10 kg x 20 g / 22 lb x 1 oz
- 25 kg x 50 g / 56 lb x 2 oz
- 50 kg x 100 g / 110 lb x 4 oz
- 100 kg x 200 g / 220 lb x 8 oz