



# Defender™ 5000 Series

Washdown Indicator, Bases and Bench Scales

**T.A. Elektronik AS**



## Smart Functionality, Durability, OHAUS Quality & Value

The OHAUS Defender™ 5000 Series is a feature-rich line of indicators, bases and bench scales that is ideal for washdown environments in shipping and receiving, production, packing and general commercial and industrial weighing applications. The Defender 5000 for washdown applications features durable all-stainless steel bases and columns. Its IP66 stainless steel indicator is a powerful weighing machine; by enabling its various modes, you have the flexibility to customize the scale for a wider variety of specific applications at no additional cost or complexity. With rugged construction, comprehensive yet intuitive software operations, multiple connectivity options, optional NiMH battery operation and flexible mounting capabilities, the Defender 5000 is your dependable one-product solution for an expandable range of weighing operations.

### Standard Features Include:

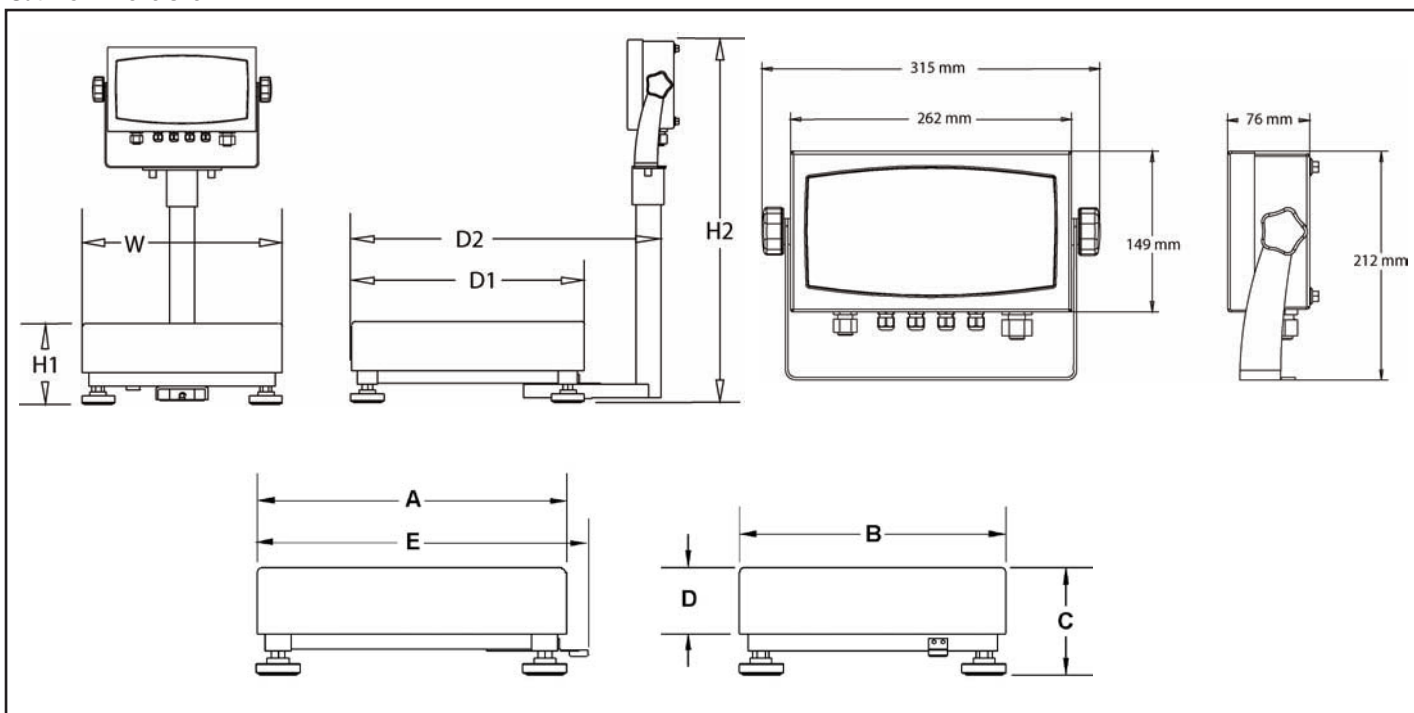
- Five popular capacities: 15kg, 30kg, 60kg, 150kg and 300kg, three platform sizes: 30.5 x 30.5cm, 45.7 x 45.7cm and 61 x 61cm
- All stainless steel bases and scales with OIML R60 approved IP67 stainless steel load cell
- Scale displayed resolutions 1:12,000-15,000 (with temporary high resolution display), approvable to 1:3000e
- Stainless steel IP66 indicator with displayed resolutions up to 1:30000, and drives up to 8 x 350 ohm load cells
- High contrast single-line backlit LCD display with 25mm tall digits, 3-color checkweigh LED and setpoint beeper
- Four function keys, raised, tactile membrane switches with menu navigation text and key-press beeper
- Multiple weighing units: kg, g, lb, oz, lb:oz, t and custom unit
- Multiple user-activated modes: counting (with auto-optimization), checkweighing, percent weighing, dynamic-animal weighing and display hold
- Universal switching power supply with optional rechargeable NiMH battery
- Built-in RS232 and external input, with optional 2nd RS232, RS422/485, AC and DC relay kits

# Defender™ 5000 Washdown Indicator,

## Indicator Specifications

Model	T51XW
Construction/Protection	304 stainless steel NEMA 4X / IP66 enclosure, 304 stainless steel wall mount bracket with adjustment knobs
Full Scale Capacity Range	1 to 999,950 kg/lb
Max Displayed Resolution	1:30,000d
Maximum Approved Resolution	1:10,000e / Dual range 1:3000e
Maximum Counting Resolution	1:300,000d
Min Average Piece Weight (APW)	0.1d
Weighing Units	kg, lb, g, oz, lb:oz, tonnes, custom
Weight Display	6-digit, 7-segment LCD, 25mm High digits, with high-contrast white LED backlight
Checkweigh Indication	3-color LED with configurable beeper signal
Keyboard	4 function membrane switches, with positive feedback
Extra Functions/Modes	Display Hold, Dynamic Weighing, Counting, Checkweighing, Percent Weighing
Other Software Features	Zero calibration, Calibration test, Geographical gravity adjustment, Auto-tare, Auto-tare on-accept, GMP Time-Date, Key function lock, temporary display of higher resolution
Load Cell Excitation Voltage	5V DC
Load Cell Input Sensitivity	up to 3 mV/V
Load Cell Drive	up to 8 x 350 ohm load cells
Stabilization Time	within 2 seconds
Zeroing Range	2% or 100% of capacity
Span Calibration	1 kg/lb to 100% of capacity
Interface	Built-in RS232 and external input / Optional RS422/485 / optional AC Relay / optional DC relay / optional 2nd RS232
Operating Temperature Range	-10°C to 40°C
Relative Humidity Range	Maximum 80% up to 31°C, decreasing linearly to 50% at 40°C
Power	100-240 VAC / 50-60 Hz, internal universal power supply, hard-wire cord, optional internal rechargeable NiMH battery (30-hr. typical operation)
Enclosure Dimensions	262W x 76D x 149H mm
Overall Dimensions (inc. bracket)	315W x 76D x 212H mm
Net / Shipping Weight	3.5 kg / 4.3 kg
Shipping Dimensions	330W x 240D x 180H mm

## Outline Dimensions



# Bases and Bench Scales

## Standard Features

### Optional NiMH Battery

Allows for use in environments where an electrical outlet may not be readily available

### Internal Slot for Capacity Label

Protects label from the effects of moisture and external environments

### Stainless Steel 304 IP66 Enclosure



Dust-tight and protected against powerful water jets from any direction. Indoor/outdoor protection against falling dirt, rain, sleet, snow, windblown dust, splashing and corrosion

### 3-Color LED Checkweigh Indication

with configurable beeper alert

### High-Visibility LCD Display

with bright white LED backlight. Fast display stable weight within 2 seconds

### Included Table/Wall Mount Bracket

With large ergonomic adjustable knobs to maximize viewing angles.

### One-Key, Multiple Mode Selection

Counting, Dynamic Weighing, Display Hold, Percent Weighing and Checkweighing

### Hinged Front Cover

Only four sealing screws secure the housing for ease of servicing, while still ensuring IP66 seal integrity



### Universal Switching Power Supply

Automatically adapts to different voltages and frequencies; plug anywhere, anytime

### Stay Connected

Built in RS232 bi-directional, built-in external input, optional RS422/485, optional second RS232 and optional AC or DC relay

### Stainless Steel Columns

Available in both short and tall lengths with compatible base mounting, they offer flexible mounting possibilities.

### Durable Base Frame Construction

Stainless steel pans and form-and-weld frames provide maximum durability, rigidity and structural integrity. Load-unload cycle tested to ensure accurate long-term performance.



### Fully Adjustable Feet

Four rugged, adjustable feet help prevent slippage on wet or uneven surfaces



## Options and Accessories

### Interface Options

	OHAUS Number
AC Relay Kit, T51P/T51XW .....	80500720
DC Relay Kit, T51P/T51XW .....	80500727
RS422/485 Interface Kit, T51P/T51XW .....	80500731
RS232 Interface Kit, T51P/T51XW.....	80500733
Foot Switch .....	71173378

### Power Options

Rechargeable Battery Kit, T51P/T51XW.....	80500729
---	----------

### Mounting Accessories

Wall Mount Kit, T51P.....	72200227
Wall Mount Kit, T51XW .....	80500735
Base Mount Kit, T51P .....	80500722
Column Mount Kit, 35cm, painted, T51 .....	80500723
Column Mount Kit, 68cm, painted, T51 .....	80500724

### Mounting Accessories (continued)

	OHAUS Number
Column Mount Kit, 35cm, stainless steel, T51 .....	80500725
Column Mount Kit, 68cm, stainless steel, T51 .....	80500726

Compatible with all existing columns for Champs-CD/CW11/CD3X/CKW

### Other Accessories

Load Cell Cable Adapter Kit .....	80500736
RS232 Cable, T31-51XW/CW11 to SF42 Printer .....	80500574
RS232 Cable, T31-51XW/CW11 to PC 25-pin .....	80500553
RS232 Cable, T31-51XW/CW11 to PC 9-pin .....	80500552
Compact Impact Printer, 42 Column .....	SF42
Paper for SF42 printer (5 pack) .....	12101511
Ribbon for SF42 printer .....	12101512

# Defender™ 5000 Washdown Bench Scales

## Base Specifications

Base Model: W Series	D15WR	D30WR	D60WL	D150WL	D300WX
Capacity (max)	15kg	30kg	60kg	150kg	300kg
Construction	304 stainless steel pan and frame, non-slip rubber leveling feet				
Leveling Components	Externally visible level bubble and adjustable leveling feet				
Operating Temperature	-10°C to 40°C				
Safe Overload Capacity	150% of rated capacity				
Load Cell Type	IP67, stainless steel, single point / C3				
Load Cell Cable	2m L x 6-wire		2.5m L x 6-wire		
Load Cell Rated Output	2 mV/V ± 10%				
Load Cell Excitation Voltage	Maximum 20V (AC/DC) / Recommended 5-15V (AC/DC)				
Load Cell Input / Output Resistance	387 ± 10 ohms / 350 ± 4 ohms				
Base Dimensions (A x B x C x D x E)	305 x 305 x 95 x 52 x 335 mm		457 x 457 x 115 x 70 x 487 mm		610 x 610 x 137 x 90 x 640 mm
Shipping Dimensions	490L x 410W x 440H mm		810L x 600W x 240H mm		1000L x 760W x 250H mm
Net / Shipping Weight	12.2kg / 14.2kg		27.2kg / 29kg		35kg / 41kg

## Scale Specifications

Scale Models: W Series	D51XW15WR3	D51XW30WR3	D51XW60WL4	D51XW150WL4	D51XW300QX4
Base Model	D15WR	D30WR	D60WL	D150WL	D300WX
Indicator Model	T51XW				
Capacity x Max Readability (d)	15kg x 1g / 1:15000d	30kg x 2g / 1:15000d	60kg x 5g / 1:12000d	150kg x 10g / 1:15000d	300kg x 20g / 1:15000d
Capacity x Appr'vd Readability (e)	15kg x 5g / 1:3000e	30kg x 10g / 1:3000e	60kg x 20g / 1:3000e	150kg x 50g / 1:3000e	300kg x 100g / 1:3000e
Column	350 mm fixed height, hollow tubular, stainless steel		680 mm fixed height, hollow tubular, stainless steel		
Scale Dimensions (WxH1xH2xD1xD2)	305 x 95 x 590 x 305 x 425 mm		457 x 115 x 940 x 457 x 577		610 x 137 x 940 x 610 x 730
Shipping Dimensions	490L x 410W x 440H mm		810L x 600W x 240H mm		1000L x 760W x 250H mm
Net / Shipping Weight	16.1kg / 18.5kg		31.6kg / 33.8kg		39.4kg / 45.8kg

## Compliance

- **Safety and EMC:** EN60950, EN61326, FCC, CE,  $cUL_{US}$   
Compliant to Directive 2002/96/EC on waste electrical and electronic equipment (WEEE)
- **Type Approval/Legal-for-Trade:**
  - T51xx Series Indicator: EC Type approval and Test Certificate: TC7132 / T5980
  - Load Cells: OIML R60-2000-NL-02.14 / TC6046; OIML R60-2000-NL-02.12 / TC6043
- **Quality:** Ohaus quality management system registered to ISO 9001:2000

\* ISO 9001:2000  
Registered Quality Management System

Avd. Sandnes  
T.A. Elektronikk AS  
Gravarsveien 55  
4306 Sandnes  
Tlf.nr.: 51 66 65 17

Avd. Oslo  
T.A. Elektronikk AS  
Trollåsveien 4  
1414 Trollåsen  
Tlf.nr.: 992 85 812

E-mail: post@taelektronikk.no  
Web: www.taelektronikk.no  
Support: 992 85 814  
Faks: 51 67 10 17